

|         |                                 |       |             |      |      |          |
|---------|---------------------------------|-------|-------------|------|------|----------|
| 02E     | CHANGE D103 MI809 TO MA4P1250   | CCN   | No.1610-004 | TS   |      | 27-10-99 |
| 02D     | REGENERATE PLC & PLA FILES      | CCN   | No.1610-002 | TS   |      | 05-10-99 |
| 02C     | 4 SP.PINS NOW SMD, SEALS NONSMD | CCN   | No.1610-001 | TS   |      | 17-09-99 |
| 02B     | REFRESHED SAFC957/860 & 0E18U   |       |             | BRD  |      | 02/07/99 |
| REV/ISS | AMENDMENTS                      | DRAWN | CHKD        | D.O. | APVD | DATE     |

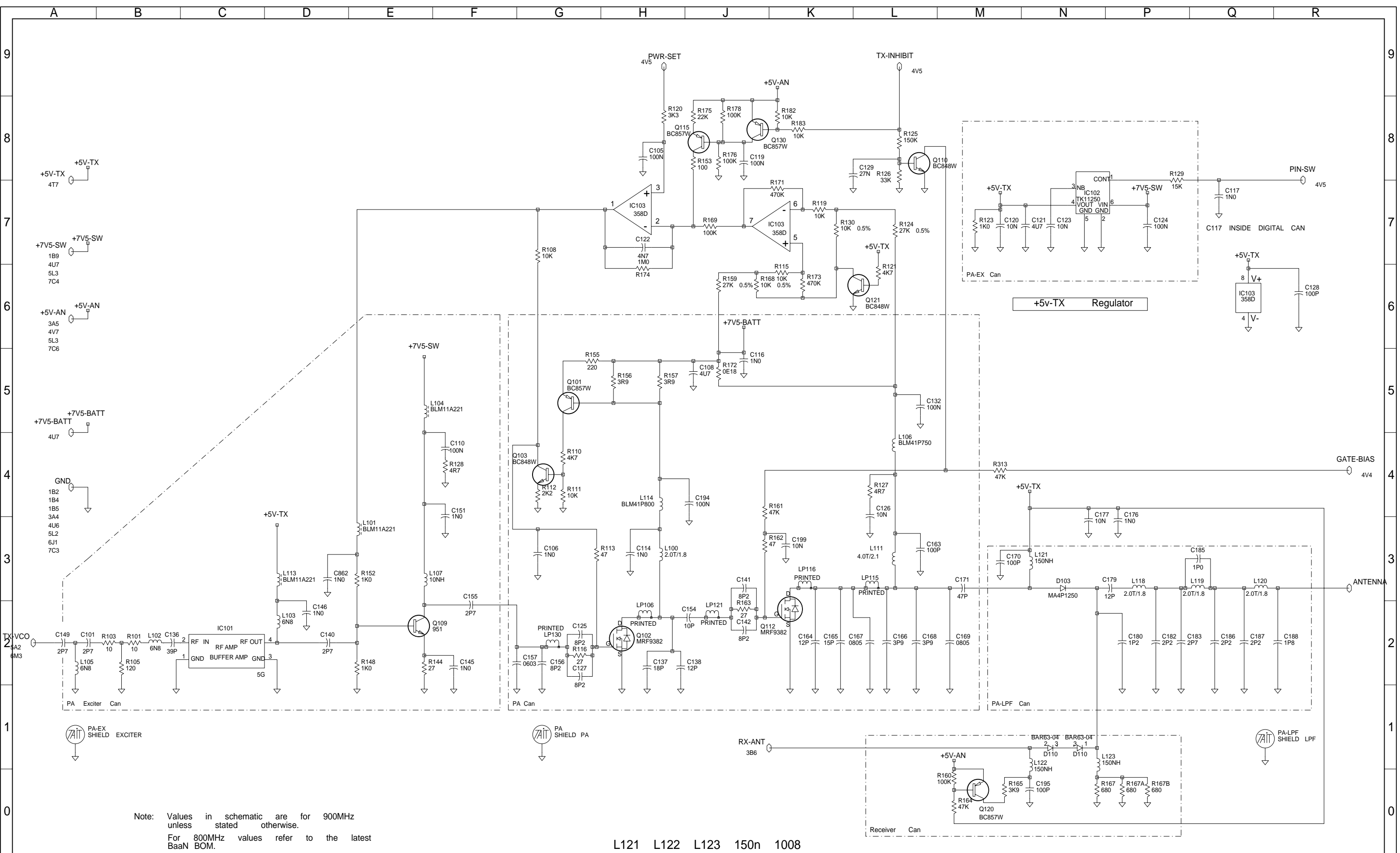


© TAIT ELECTRONICS

ORCA TOP: 900MHZ SYSTEM DIAGRAM

IPN: 220-01610-02 ISSUE: E ID: 2.S.C. 1

PROJECT: ORCA DESIGNER: BRD/TS FILE NAME: 161002e FILE DATE: 27-Oct-99 NO.SHEETS: 7

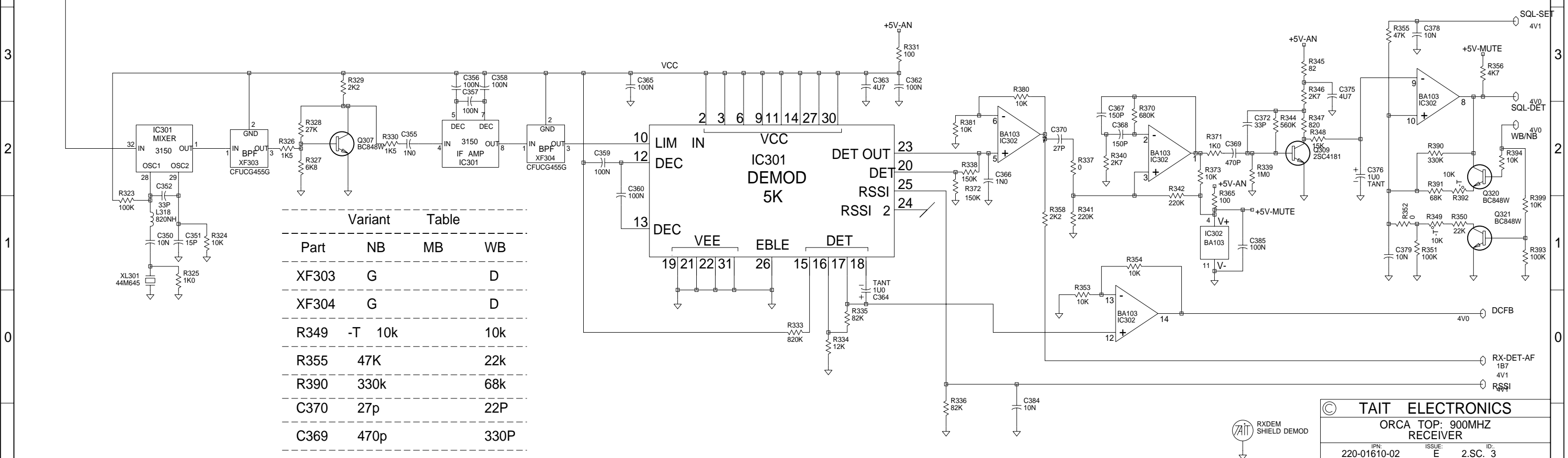
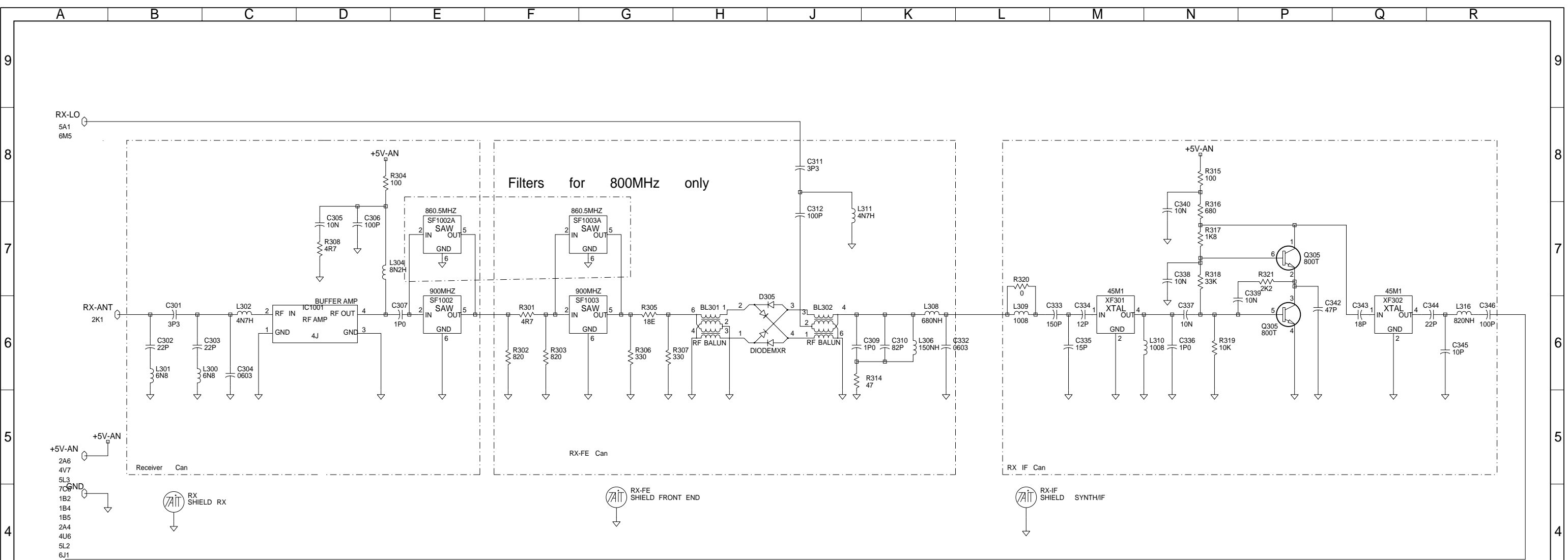


Note: Values in schematic are for 900MHz unless stated otherwise.  
 For 800MHz values refer to the latest BaaN BOM.

L121 L122 L123 150n 1008

|         |                                |       |      |      |           |
|---------|--------------------------------|-------|------|------|-----------|
| 02B     | REFRESHED SAFC947/860 & OE18U. | BRD   |      |      | 07-09-99  |
| REV/ISS | AMENDMENTS                     | DRAWN | CHKD | D.O. | APVD DATE |

© TAIT ELECTRONICS  
 ORCA TOP: 900MHZ POWER AMPLIFIER  
 IPN: 220-01610-02 ISSUE: E ID: 2.S.C. 2  
 PROJECT: ORCA DESIGNER: BRD/TS FILE NAME: 161002e FILE DATE: 27-Oct-99 NO.SHEETS: 7



Variant Table

| Part  | NB     | MB | WB   |
|-------|--------|----|------|
| XF303 | G      |    | D    |
| XF304 | G      |    | D    |
| R349  | -T 10k |    | 10k  |
| R355  | 47K    |    | 22k  |
| R390  | 330k   |    | 68k  |
| C370  | 27p    |    | 22P  |
| C369  | 470p   |    | 330P |

| REV/ISS | AMENDMENTS | DRAWN | CHKD | D.O. | APVD | DATE |
|---------|------------|-------|------|------|------|------|
| A       |            |       |      |      |      |      |

© TAIT ELECTRONICS

ORCA TOP: 900MHZ RECEIVER

IPN: 220-01610-02

ISSUE: E

ID: 2.S.C. 3

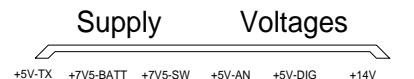
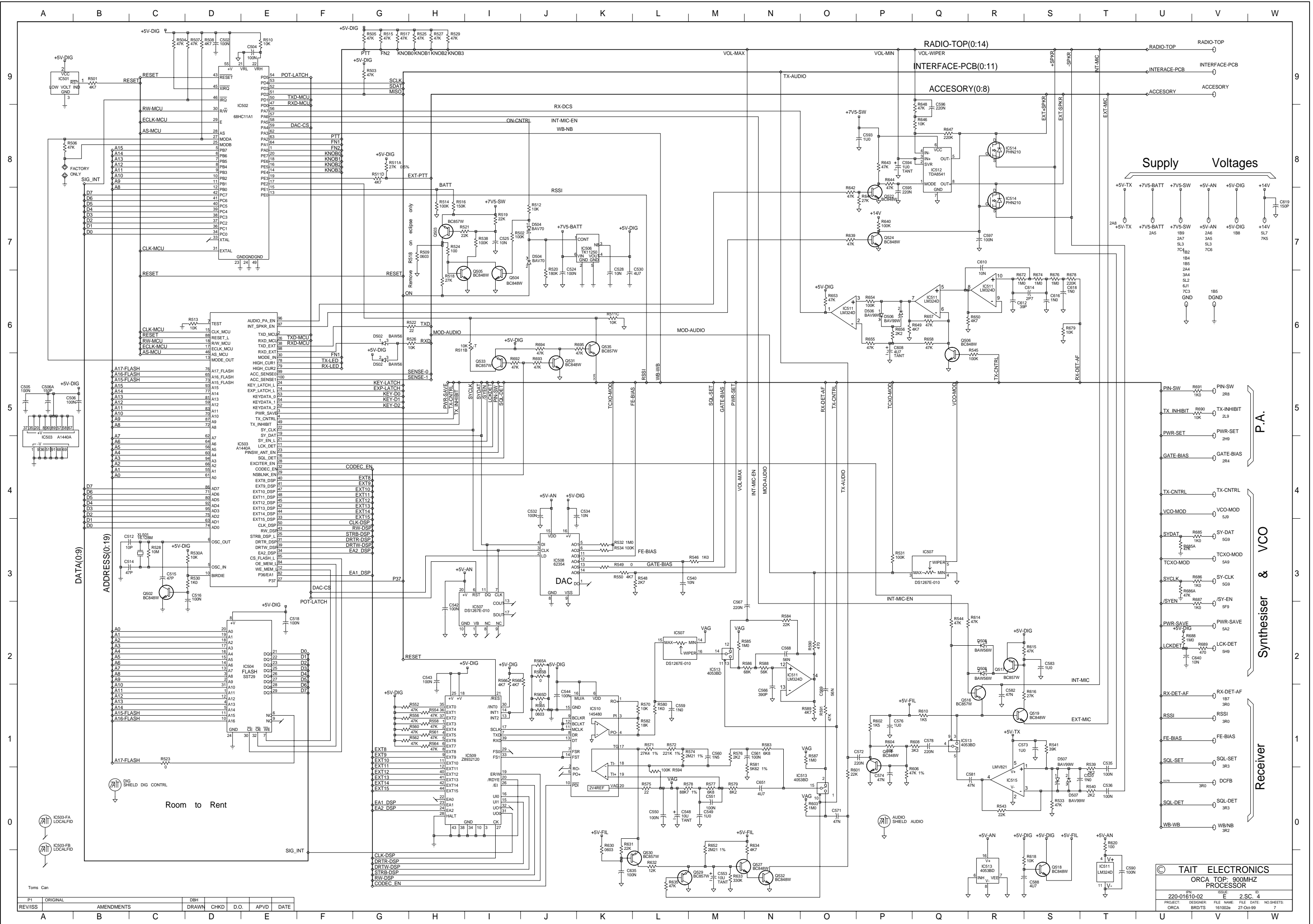
PROJECT: ORCA

DESIGNER: BRD/TS

FILE NAME: 161002e

FILE DATE: 27-Oct-99

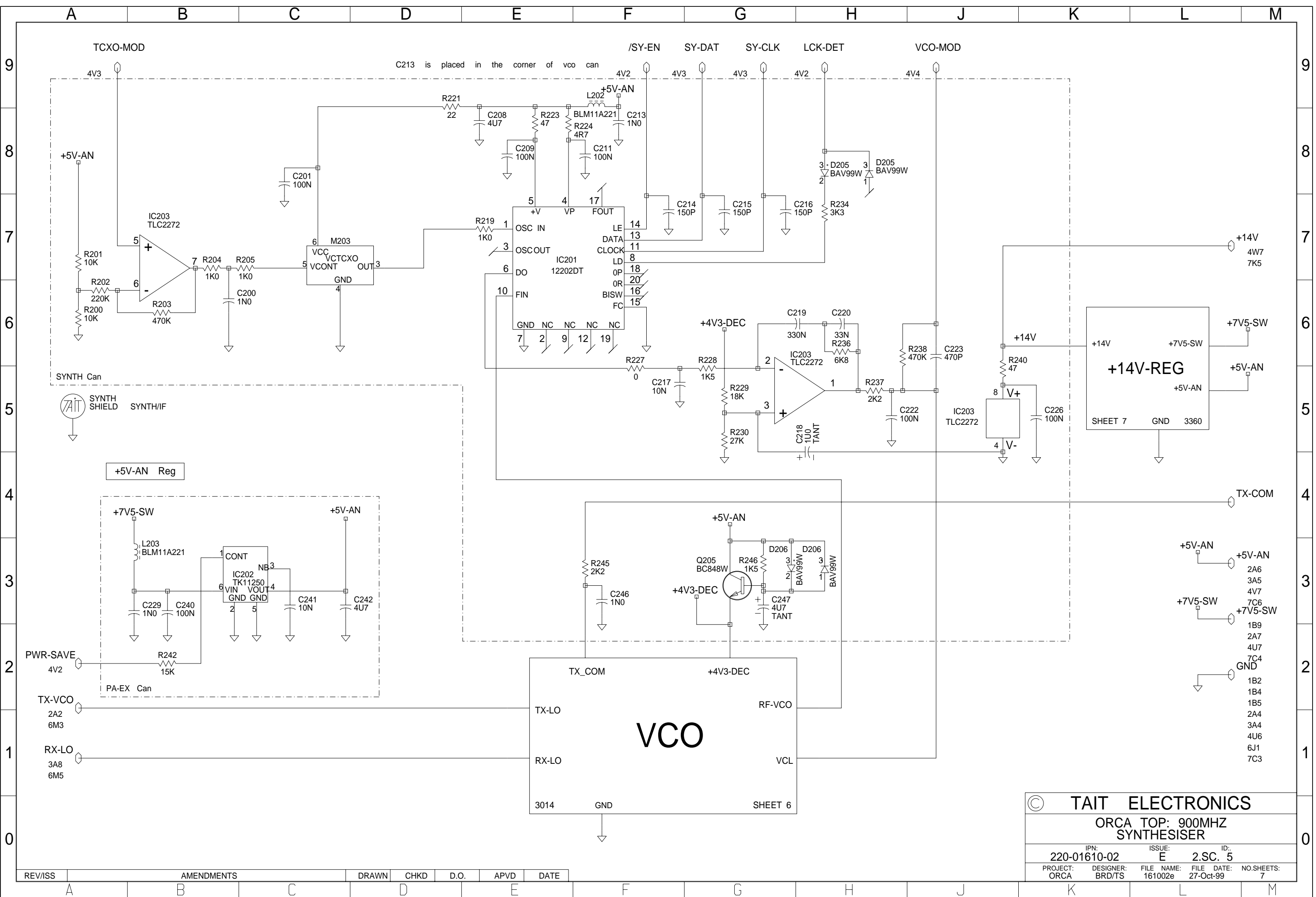
NO.SHEETS: 7



© TAIT ELECTRONICS  
 ORCA TOP: 900MHZ  
 PROCESSOR  
 220-01610-02 E 2 SC. 4  
 PRODUCT DESIGNER FILE NAME FILE DATE NO SHEETS  
 ORCA BRDTS 161002a 27-04-99 7

| REV/ISS | ORIGINAL | AMENDMENTS | DRAWN | CHKD | D.O. | APVD | DATE |
|---------|----------|------------|-------|------|------|------|------|
| P1      |          |            | DBH   |      |      |      |      |

Toms Can



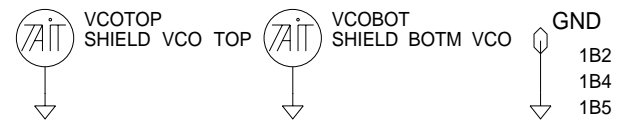
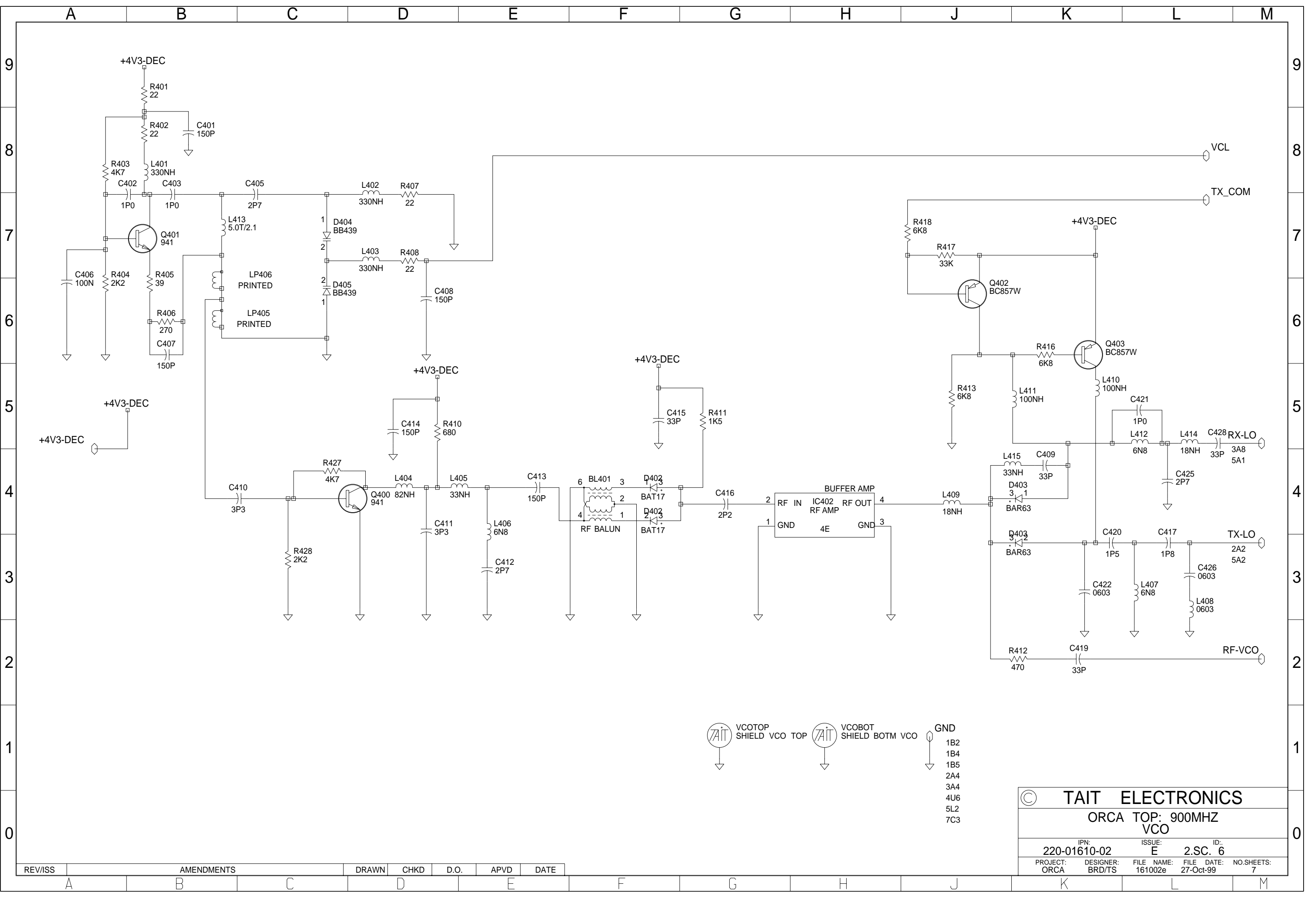
© TAIT ELECTRONICS

ORCA TOP: 900MHZ SYNTHESISER

IPN: 220-01610-02    ISSUE: E    ID: 2.SC. 5

PROJECT: ORCA    DESIGNER: BRD/TS    FILE NAME: 161002e    FILE DATE: 27-Oct-99    NO.SHEETS: 7

| REV/ISS | AMENDMENTS | DRAWN | CHKD | D.O. | APVD | DATE |
|---------|------------|-------|------|------|------|------|
|         |            |       |      |      |      |      |



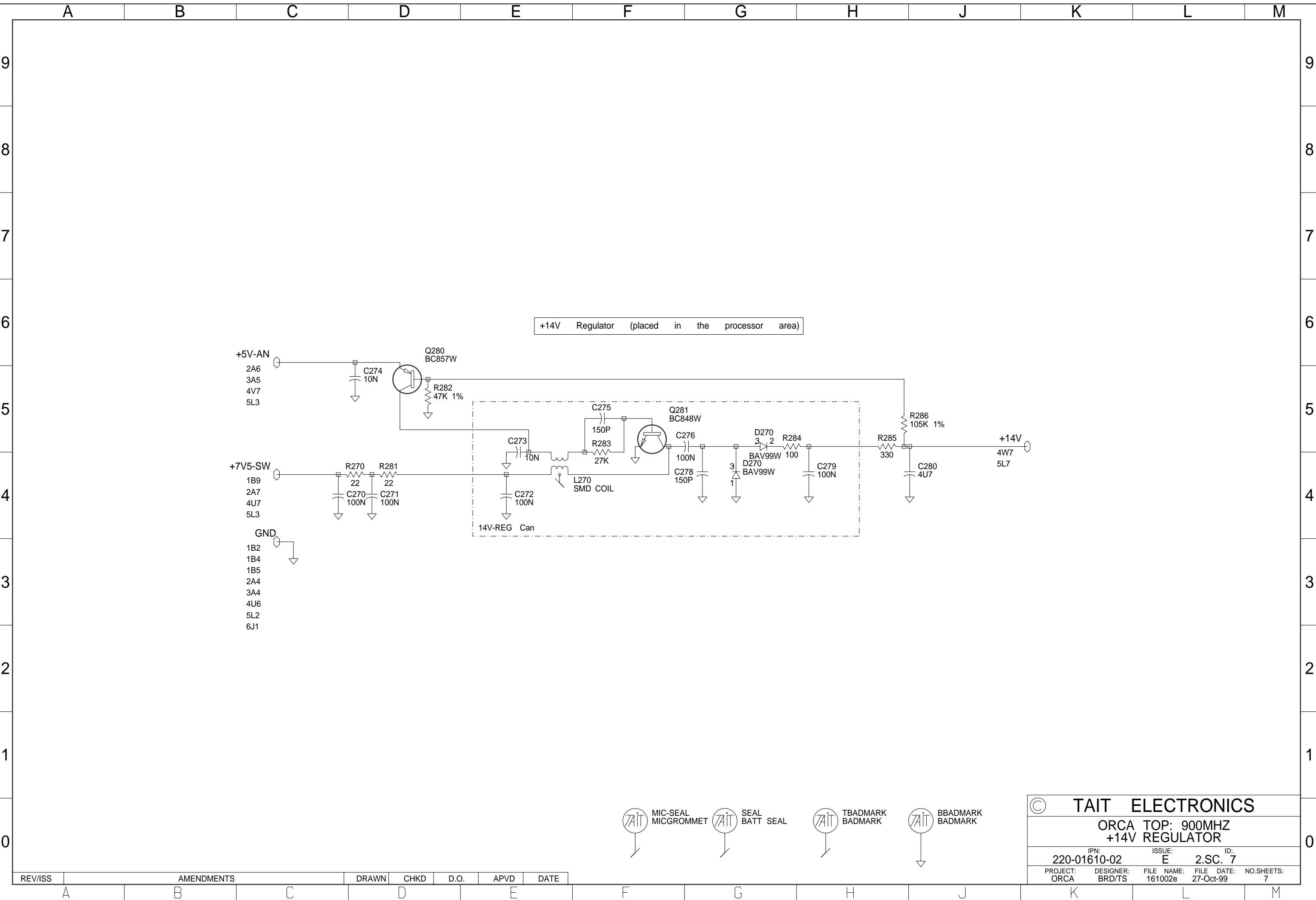
© TAIT ELECTRONICS

ORCA TOP: 900MHZ  
VCO

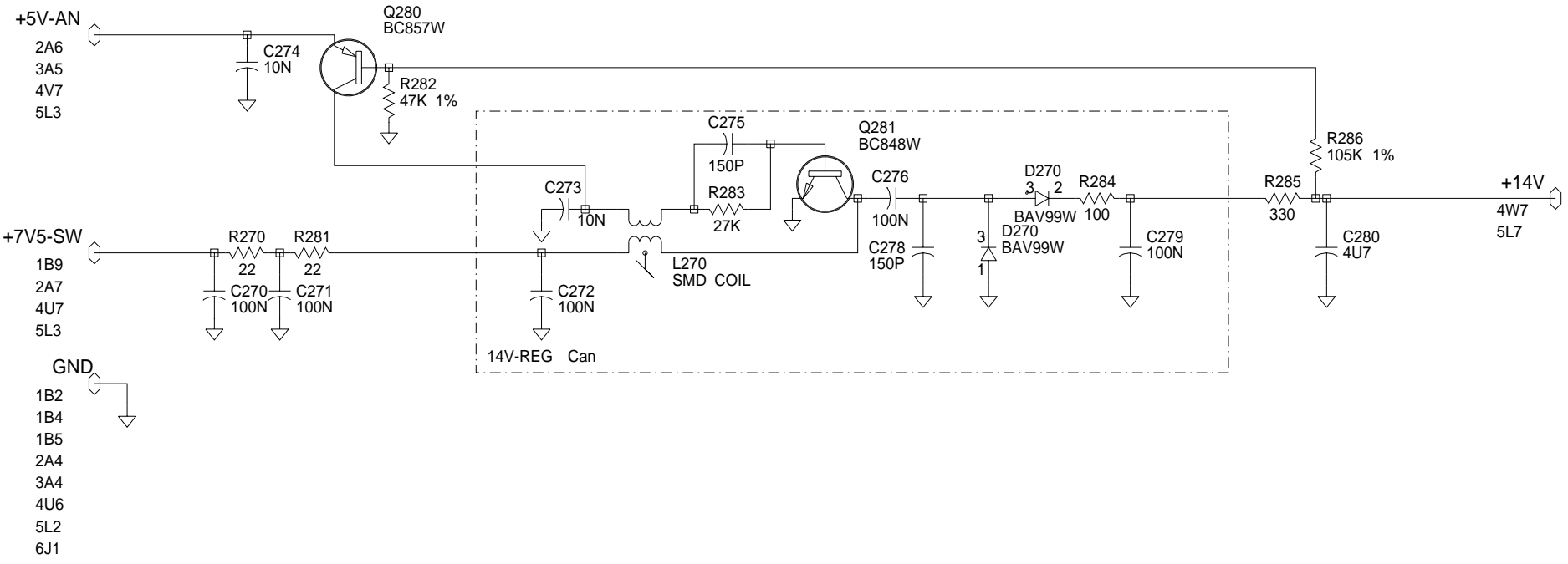
IPN: 220-01610-02    ISSUE: E    ID: 2.SC. 6

PROJECT: ORCA    DESIGNER: BRD/TS    FILE NAME: 161002e    FILE DATE: 27-Oct-99    NO.SHEETS: 7

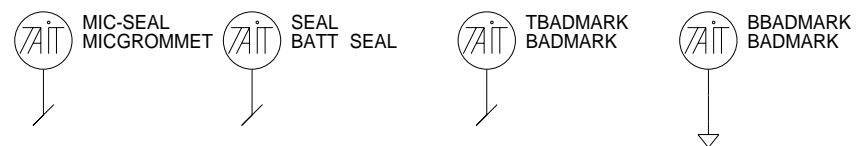
| REV/ISS | AMENDMENTS | DRAWN | CHKD | D.O. | APVD | DATE |
|---------|------------|-------|------|------|------|------|
|         |            |       |      |      |      |      |



+14V Regulator (placed in the processor area)



- GND
- 1B2
  - 1B4
  - 1B5
  - 2A4
  - 3A4
  - 4U6
  - 5L2
  - 6J1



|                                    |           |            |            |            |
|------------------------------------|-----------|------------|------------|------------|
| © TAIT ELECTRONICS                 |           |            |            |            |
| ORCA TOP: 900MHZ<br>+14V REGULATOR |           |            |            |            |
| IPN:                               | ISSUE:    | ID:        |            |            |
| 220-01610-02                       | E         | 2.SC. 7    |            |            |
| PROJECT:                           | DESIGNER: | FILE NAME: | FILE DATE: | NO.SHEETS: |
| ORCA                               | BRD/TS    | 161002e    | 27-Oct-99  | 7          |

| REV/ISS | AMENDMENTS | DRAWN | CHKD | D.O. | APVD | DATE |
|---------|------------|-------|------|------|------|------|
|---------|------------|-------|------|------|------|------|